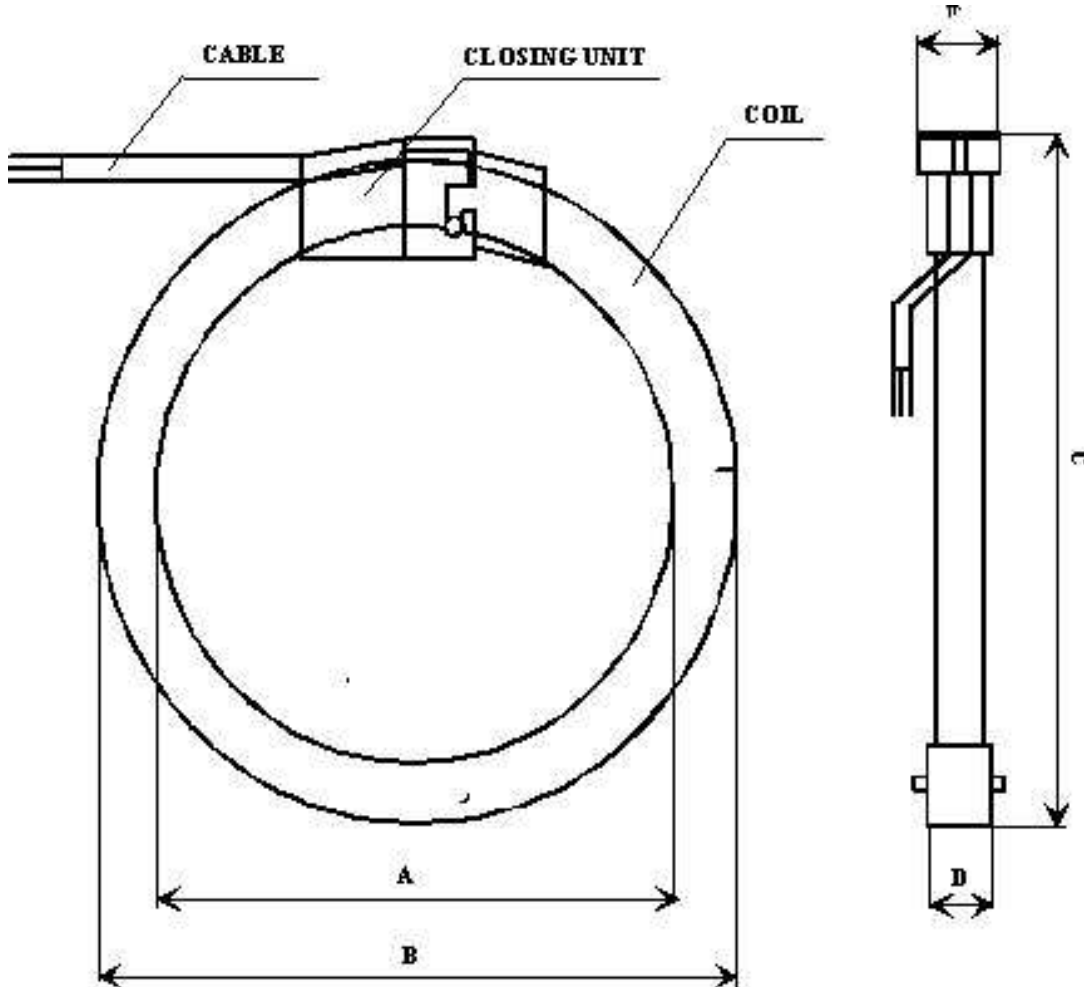


## CURRENT PROBE

CF3000-24

<b>Specifications</b>	
<b>Output signal</b>	120 mV/KA @ 60Hz
<b>Storage temperature</b>	-4° / + 176° F
<b>Coil resistance</b>	30 – 40 Ohm
<b>Frequency</b>	8 Hz to 100 kHz
<b>Operating humidity</b>	0 to 95%
<b>Shield</b>	75% - 80%
<b>Accuracy</b>	< 1%
<b>Influence of conductor position in the jaws</b>	< 1% (3% closing unit)
<b>Influence of adjacent conductor</b>	< 1% of current causes interference @ 60 Hz
<b>Influence of sensor shape</b>	< 1%
<b>Self extinguishing ability</b>	UL 94
<b>Isolation</b>	Double 5/64 inches. (600 kV/inch)
<b>Dielectric Strength</b>	600 kV/inch
<b>Closing Mechanism</b>	Bayonet locking clip, material SANTOPRENE.
<b>Rated Operations (Open/Close)</b>	35000 @ 68°F
<b>Connection</b>	Shielded Cable, Length 6 foot - 2x0.15 (SANTOPRENE Rubber)
<b>Outer Construction</b>	Thermoplastic SANTOPRENE Rubber UL-94, UL-746A, UL-746C. Max 212°F.
<b>Weight</b>	13 ounces
<b>Safety</b>	IEC 61010-1 Category III 600/1000V, Pollution II

# GridSense™



Diameter A	7 9/64 inches
Diameter B	8 9/64 inches
Length C	24 inches
Diameter D	3/4 inches
Diameter E	1 3/16 inches