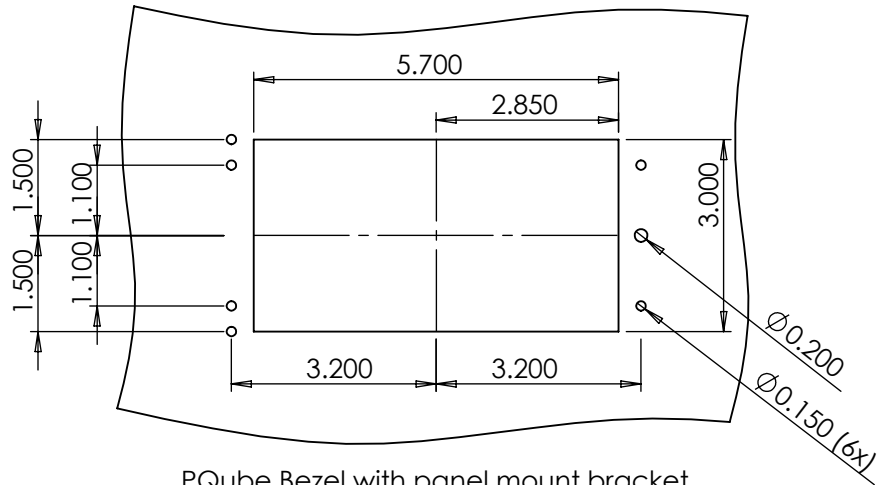
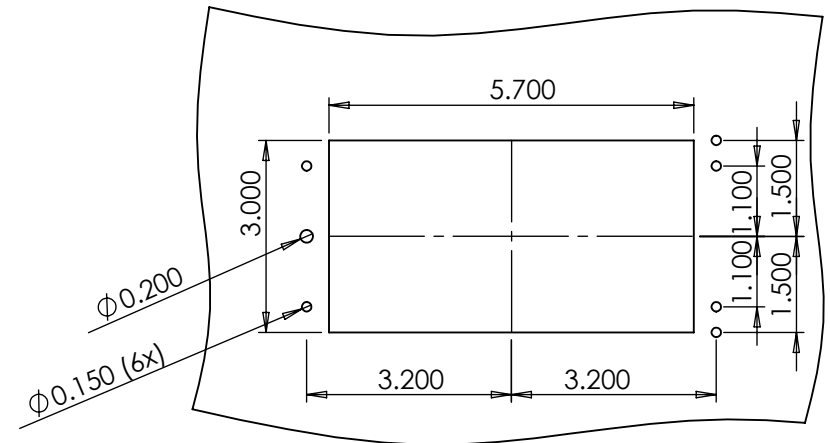


PQube Bezel with no panel mount bracket

VIEWED FROM FRONT SIDE OF PANEL



PQube Bezel with panel mount bracket hinged on left side



PQube Bezel with panel mount bracket hinged on right side

**PROPRIETARY AND CONFIDENTIAL**  
 THE INFORMATION CONTAINED IN THIS DRAWING IS THE SOLE PROPERTY OF POWER STANDARDS LAB. ANY REPRODUCTION IN PART OR AS A WHOLE WITHOUT THE WRITTEN PERMISSION OF POWER STANDARDS LAB IS PROHIBITED.

		DIMENSIONS ARE IN INCHES TOLERANCES: FRACTIONAL ± ANGULAR: MACH ± BEND ± TWO PLACE DECIMAL ± THREE PLACE DECIMAL ±	NAME	DATE	<b>PSL</b> Power Standards Lab  <b>PQube Panel Mount Cutout dimensions</b>
		MATERIAL	---		
		FINISH	---		
NEXT ASSY	USED ON				
APPLICATION	DO NOT SCALE DRAWING				
			COMMENTS:		SIZE <b>A</b> DWG. NO. <b>850-000014</b> REV. <b>-01</b> SCALE: 1:5 WEIGHT: SHEET 1 OF 1